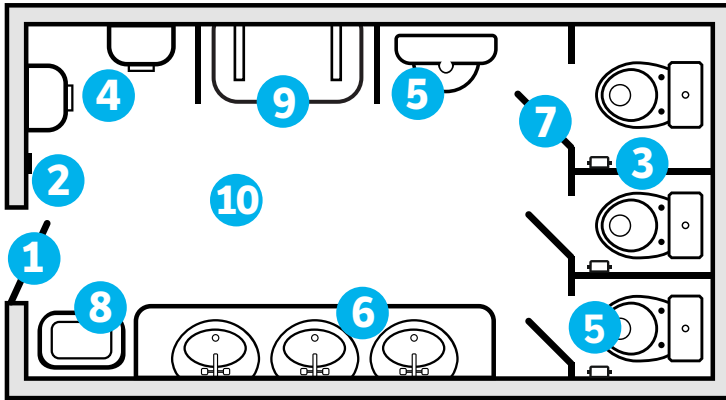


# PUBLIC RESTROOM

Restaurant restrooms are home to countless left-behind germs from guests and staff members. Keep everything clean by properly cleaning, sanitizing and disinfecting these commonly-touched surfaces.



## Key Touchpoints for cleaning include:

- 1  Door handles
- 2  Light switches
- 3  Dispensers (soap, toilet paper, etc.)
- 4  Paper towel holders
- 5  Toilet/urinals (handle, seat, etc.)
- 6  Faucet
- 7  Stall and stall handle
- 8  Trash/recycling receptacle
- 9  Changing stations
- 10  Floors/walls

**Bright** the smart way to clean!  
**Solutions.**

find us at [mybrightsolutions.com](http://mybrightsolutions.com) and on  and 